



**DESIGN TECHNOLOGY
HIGHER LEVEL
PAPER 3**

Friday 12 November 2010 (morning)

1 hour 15 minutes

Candidate session number

0	0							
---	---	--	--	--	--	--	--	--

INSTRUCTIONS TO CANDIDATES

- Write your session number in the boxes above.
- Do not open this examination paper until instructed to do so.
- Answer all of the questions from one of the Options in the spaces provided. You may continue your answers on answer sheets. Write your session number on each answer sheet, and attach them to this examination paper and your cover sheet using the tag provided.
- At the end of the examination, indicate the letter of the Option answered in the candidate box on your cover sheet and indicate the number of answer sheets used in the appropriate box on your cover sheet.



Option A — Food science and technology

A1. Figure A1 shows the steps in the making of pizza dough using wheat flour, yeast, water, salt and olive oil.

Figure A1: Steps in making a pizza dough



1. Mix flour, yeast, water, salt and olive oil for pizza dough.



2. Gather the dough into a large ball on a floured board.



3. Knead the dough by pushing with heel of one hand.



4. Now reverse the process, kneading with the other hand.



5. Place the dough in a bowl in a warm spot, and cover it.



6. When the dough has doubled in bulk take it out.



7. Divide the dough into quarters to make pies.



8. Press down with palm on a piece, flattening it.



9. Turn dough in your hands and stretch it out.



10. Hold the dough and let its weight stretch it.



11. Use a rolling pin to work it into a circle.



12. Pour on tomato sauce, sprinkle with grated cheese. Dribble olive oil over cheese, and bake.

[Source: "The Cooking of Italy" by Waverly Root. Time Life "Foods of the World", Time Life Books, NY, 1968. Photographs by Michael Field. Page 174.]

(This question continues on the following page)



0226

(Question A1 continued)

- (a) State the name of the process which causes the dough to double in volume as shown in step 6. [1]

.....
.....

- (b) Outline **one** reason for adding yeast to the pizza dough as shown in step 1. [2]

.....
.....
.....

- (c) Explain why the recipe for the pizza dough would have to be modified so that it would be suitable as part of a gluten-free diet. [3]

.....
.....
.....
.....

- A2.** (a) State the Millennium Development Goal relating to food security. [1]

.....
.....

- (b) List **two** criteria for food security. [2]

.....
.....
.....

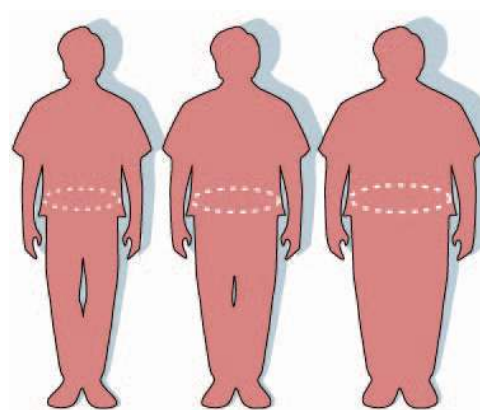


A3. A man has a height of 1.9 metres, a weight of 125 kg and a waist circumference of 117 cm. (see **Figure A2**). Having a waist circumference greater than 102 cm for men has been shown to be a more sensitive indication for increased risk of disease associated with being overweight or obese than body mass index (BMI) (kg m^{-2}) (see **Table A1**).

Table A1: Disease risk, BMI and waist circumference

Classification	BMI (kg m^{-2})	Waist circumference less than 102 cm	Waist circumference more than 102 cm
Underweight	< 18.5	—	—
Normal	18.5–24.9	—	—
Overweight	25.0–29.9	Increased	High
Obesity	30.0–34.9	High	Very high
—	35.0–39.9	Very high	Very high
Extreme Obesity	40.0 +	Extremely high	Extremely high

Figure A2: Man with increased waist circumference



[Source: Report of the Dietary Guidelines Advisory Committee on the Dietary Guidelines for Americans, 2000. Infographic: FDA/Renée Gordon]

(a) Calculate the BMI for the man. [2]

.....

.....

.....

(b) Outline **one** reason why governments should raise public awareness of health issues relating to obesity. [2]

.....

.....

.....



A4. Discuss the influence of market pull and technology push on the development of new food products.

[6]

Market pull:

.....
.....
.....
.....

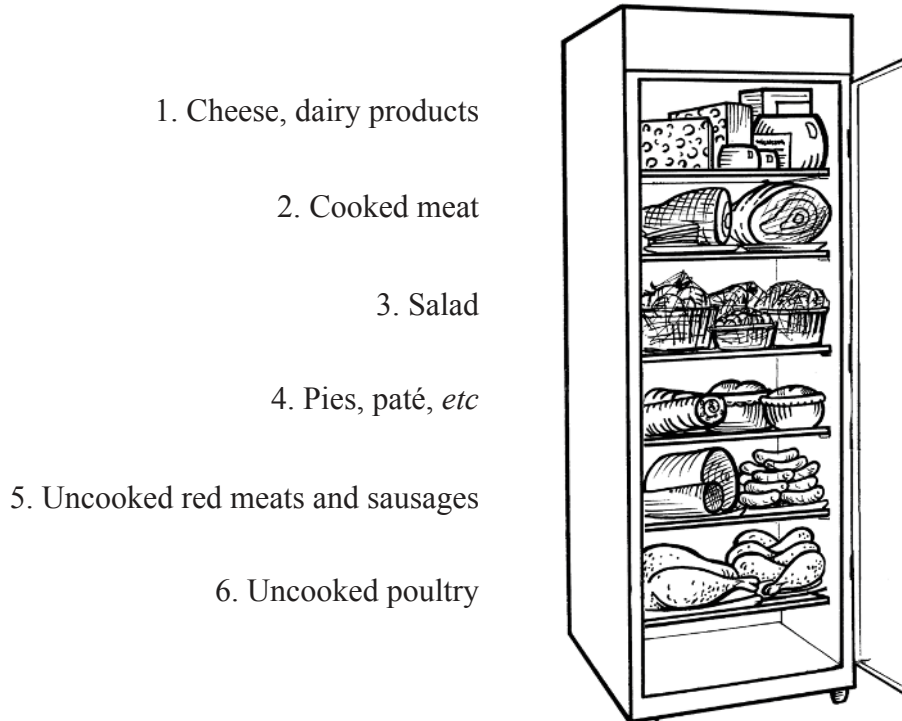
Technology push:

.....
.....
.....
.....



A5. Figure A3 shows the recommended layout for storage of food in a refrigerator.

Figure A3: Recommended layout for the storage of food in a refrigerator



[Image reproduced courtesy of Foster Refrigerator (www.fosterrefrigerator.co.uk).]

(a) Describe “high-risk” foods. [2]

.....

.....

.....

(b) Identify **one** reason why uncooked poultry would be kept at the bottom of the refrigerator. [2]

.....

.....

.....

(c) Outline **one** reason why cheese and dairy products would be kept at the top of the refrigerator. [2]

.....

.....

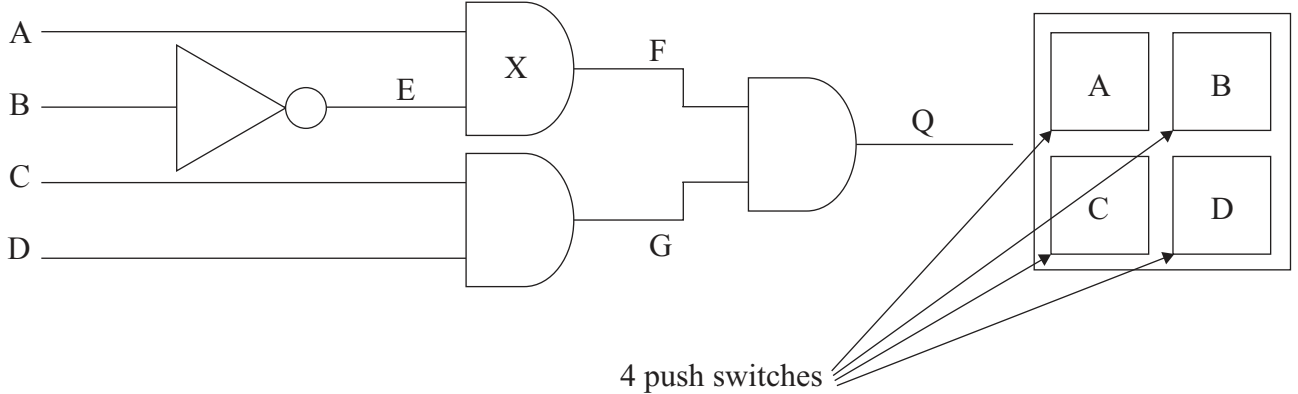
.....



Option B — Electronic product design

B1. The circuit shown in **Figure B1** is part of a combination lock for an entry control system to a smart home. Logic 1 at Q opens the lock mechanism. There are four push switches labelled A, B, C and D on a control pad. Pressing switch A provides a logic 1 at A. Switches B, C and D operate in the same way as switch A.

Figure B1: Part of a combination lock for an entry control system to a smart home



(a) State the name of the logic gate labelled X. [1]

.....

(b) Complete the truth table shown below. [2]

B	A	E	F
0	0		
0	1		
1	0		
1	1		

(c) Explain which combination of switches needs to be pushed to open the lock mechanism. [3]

.....



B2. (a) Define *bit rate*. [1]

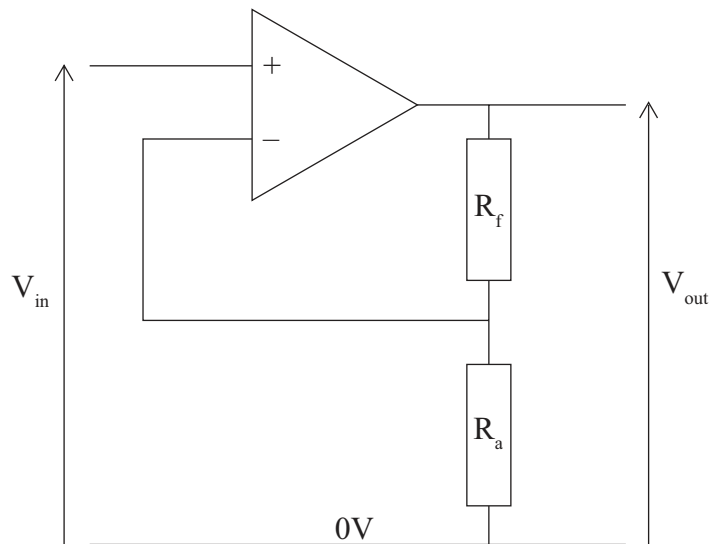
.....
.....

(b) Outline **one** implication of limited bit rate capacity for a home security system. [2]

.....
.....
.....

B3. **Figure B2** shows a circuit used as part of a public address system. To achieve the appropriate level of amplification V_{out} must be ten times V_{in} .

Figure B2: Circuit used as part of a public address system



(a) Identify the ratio of R_f to R_a to achieve an amplification of ten times. [2]

.....
.....
.....

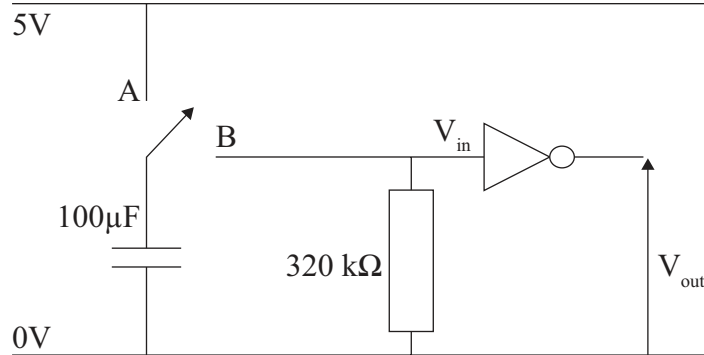
(b) Outline **one** reason why R_a and R_f should not be very low (*e.g.* less than 1 k Ω) or very high (*e.g.* more than 10 k Ω). [2]

.....
.....
.....



B4. The circuit shown in **Figure B3** is part of an alarm system for a smart home. The user is given approximately 20 seconds to enter the correct code on a keypad (not shown in the diagram) before the alarm sounds. This circuit is designed to switch from logic 1 to logic 0 for a period of approximately 20 seconds when the switch is moved from position A to position B.

Figure B3: Circuit for part of an alarm system for a smart home



(a) Explain why the component values given for the resistor and capacitor are suitable for producing a time of approximately 20 seconds. [3]

.....

.....

.....

.....

(b) Explain the effect of connecting a 200µF capacitor in parallel with the 100µF capacitor on the duration of the logic 0 output. [3]

.....

.....

.....

.....



B5. (a) Describe “The Communicator”. [2]

.....
.....
.....

(b) Identify **one** key element in “The Communicator”. [2]

.....
.....
.....

(c) Identify **one** design consideration in the implementation of “The Communicator”. [2]

.....
.....
.....

B6. (a) Compare digital photography and traditional celluloid film photography from an environmental perspective. [3]

.....
.....
.....
.....

(b) Discuss **one** advantage of digital photography relative to traditional celluloid film photography for the user. [3]

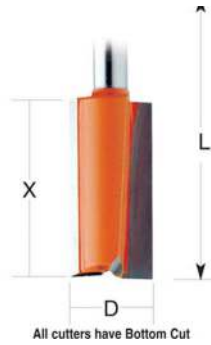
.....
.....
.....
.....



Option C — CAD/CAM

C1. **Figure C1** shows a CNC router. **Figure C2** shows a twin flute straight cutting tool with a 1/4 inch shank, 3/16 inch diameter and a 1/2 inch length. **Figure C3** shows the Ben Wilson Chairfix design. The chair is routed out of birch-faced plywood or MDF. The chair is easily assembled in minutes by the end user. No glue, screws or other fixings are needed.

Figure C1: A CNC router **Figure C2: Twin flute straight cutting tool** **Figure C3: Ben Wilson’s chair-fix design**



[Used with the permission of Trend Cutting Tools Ltd.]

[Image used with the permission of CMT Orange Tools (www.cmtutensili.com).]

[Chairfix by Ben Wilson (www.benwilsondesign.co.uk).]

- (a) State **one** benefit for the manufacturer of using a CNC router for the manufacture of the Ben Wilson Chairfix design shown in Figure C3. [1]
.....
.....
- (b) Describe how the straight cutting tool would be used to make the parts in Figure C3. [2]
.....
.....
.....
- (c) Explain how a CNC machine aids manufacture. [3]
.....
.....
.....
.....



C2. (a) State **one** issue relating to the replacement of the human workforce by robots. *[1]*

.....
.....

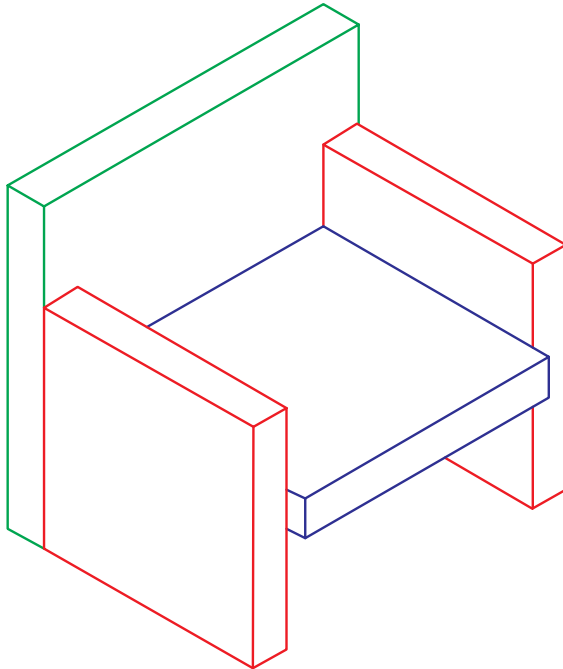
(b) Outline **one** advantage of using robots in industrial environments. *[2]*

.....
.....
.....



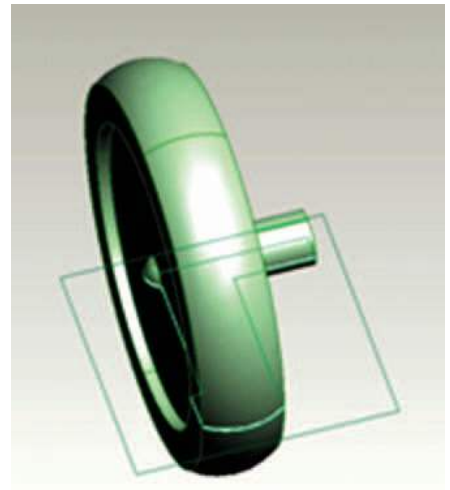
C3. **Figure C4** shows a CAD image of a chair. **Figure C5** shows a CAD image of a wheel for a child’s toy. Both are produced from 2–D sketches.

Figure C4: CAD image of a chair



[Redrawn from http://www.we-r-here.com/cad/tutorials/level_3/3-5.htm. Used with permission.]

Figure C5: CAD image of a wheel for a child’s toy



(a) Identify the process which would be used to produce a 3–D image of the back of the chair shown in Figure C4 from a 2–D sketch. [2]

.....
.....
.....

(b) Identify the process which would be used to produce the image of the wheel shown in Figure C5 from a 2–D sketch. [2]

.....
.....
.....



C4. Discuss **two** ways in which CAD has affected consumer choice when considering a kitchen design. [6]

.....

.....

.....

.....

.....

.....

.....

.....

.....

.....

C5. (a) Outline **one** way in which CAD supports flexible working. [2]

.....

.....

.....

(b) Outline **one** way in which CAD has changed the nature of the designer-client relationship. [2]

.....

.....

.....

(c) Outline **one** way in which CAD has changed the nature of design education. [2]

.....

.....

.....



Option D — Textiles

D1. Care labels for clothing and textile products are produced to international standards and adopted in individual countries. **Figure D1**, for example, shows the cover of a guide to the care labelling standards produced by the Australian Competition and Consumer Commission. Care instruction must be permanently attached to products and accessible at the point of sale.

Figure D1: Consumer guide to fabric care symbols



[© Commonwealth of Australia. Used with the permission of the Australian Competition and Consumer Commission.]

(a) State **one** reason why care labelling for textile products should be mandatory. [1]

.....
.....

(This question continues on the following page)



(Question D1 continued)

(b) Outline **one** reason why the care instructions should be accessible at the point of sale. [2]

.....
.....
.....

(c) Explain why there is a need for international standards for care labels. [3]

.....
.....
.....
.....

D2. (a) State **one** challenge for the designers of wearable computing garments. [1]

.....
.....

(b) Outline **one** benefit of aligning the wearable computing market more closely with the fashion market. [2]

.....
.....
.....



D3. VELCRO® consists of two layers – one is covered with tiny hooks, the other with tiny loops. When the two layers are pressed together, the hooks catch in the loops and hold the pieces together (see **Figure D2**). VELCRO® was invented by George de Mestral, a Swiss engineer. The idea came to him after he returned home one day with his clothes covered in the seeds (burrs) of the burdock plant (see **Figure D3**). VELCRO® is widely used for the fasteners of trainers and other sports clothing (see **Figure D4**).

Figure D2: Magnified images of VELCRO® showing the tiny hooks and loops



Figure D3: Tiny hooks on the seeds of the burdock plant



[Source: http://en.wikipedia.org/wiki/File:Bur_Macro_BlackBg.jpg. Image by Zephyris.]

Figure D4: Child's trainer with VELCRO® fastening



[Source: <http://commons.wikimedia.org/wiki/File:Kinderschoenen.jpg>. Image by Dmitri Neyt (DimiTalen, DimiCalifornia).] [2]

Source: http://en.wikipedia.org/wiki/File:Velcro_hooks.jpg and http://en.wikipedia.org/wiki/File:Velcro_loops.jpg. Images by Olivepixel.

(a) Identify **one** way in which VELCRO® is an example of biomimetics.

.....
.....
.....

(b) Outline **one** advantage of using VELCRO® for the fastener of the child's trainer shown in Figure D4. [2]

.....
.....
.....

D4. Discuss **two** ways in which the use of CAM in the textile industry has helped to minimise waste. [6]

.....
.....
.....
.....
.....
.....
.....
.....
.....
.....
.....
.....

D5. (a) Describe the contribution of the EU flower system to the life cycle analysis of textile products. [2]

.....
.....
.....

(b) Describe the process of ginning. [2]

.....
.....
.....

(c) Outline **one** environmental issue related to commercial spinning, knitting and weaving processes. [2]

.....
.....
.....



Option E — Human factors design

E1. The Apple iPod has been a global success (see **Figure E1**). It has a touch wheel which rotates to scroll through menu items. The central button is used to select a menu item. The buttons on the touch wheel perform basic functions: menu, play/pause, next track, and previous track.

Figure E1: The Apple ipod



Source: iPod. Used with permission.

(a) State **one** characteristic of a product which becomes a global success. [1]

.....
.....

(b) Outline **one** way in which the user interface of the iPod has contributed to its success. [2]

.....
.....
.....

(c) Explain why participatory design involving users helps designers to develop good user interfaces. [3]

.....
.....
.....
.....



E2. (a) Define *digital human*. [1]

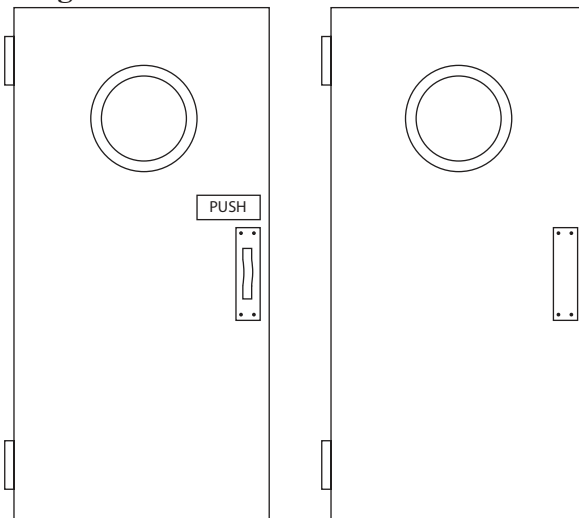
.....
.....

(b) Outline **one** way in which digital humans enable the consideration of human factors early in the design cycle. [2]

.....
.....
.....

E3. Figure E2 shows two doors equipped with different door furniture although both need to be pushed to open.

Figure E2: Two doors and door furniture



(a) Outline **one** reason why affordance is an important consideration in human factors design. [2]

.....
.....
.....

(b) Identify **one** reason why the use of the push plate on the right-hand door in Figure E2 is a better design for a door that needs to be pushed than the handle and sign used on the left-hand door. [2]

.....
.....
.....



E4. Discuss **two** ways in which human factor specialists determine adequate product safety. [6]

.....
.....
.....
.....
.....
.....
.....
.....
.....
.....
.....
.....

E5. (a) Identify **one** human factor issue related to wheelchair design. [2]

.....
.....
.....

(b) Outline **one** way in which designers could research human factors for wheelchair design. [2]

.....
.....
.....

(c) Describe **one** benefit of the Internet for wheelchair users. [2]

.....
.....
.....



